

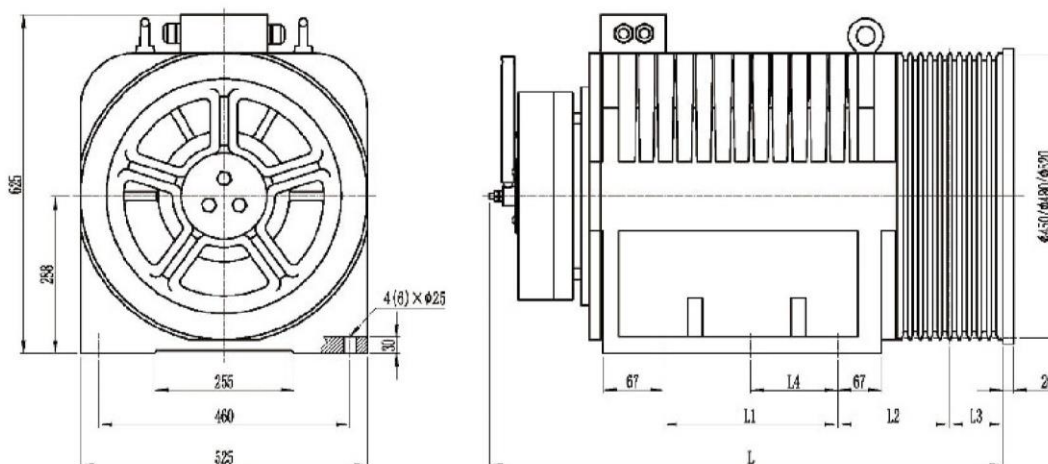
# MONA450

*Part Danafoos*  
پارت دنافوز



Voltage	380V
Roping	2:1
Wrap	Single
Elv. Load	(1350~3000)kg
Elv. Speed	(0.5~3.0)m/s
Sheave Diam	450mm/480mm/520mm
Duty	S5-40%ED
Max. Static Load	12000kg
Weight	900kg
Brake	DC110V 2×2.5A
IP Code	IP41
Ins. Class	F

## Dimensions



# Spec. Sheet

Type	Spec	Elv Load	Elv Speed	Sheave Dia	Sheave Groove	Current	Power	Speed	Freq	Torque	Poles	L	L1	L2	L3	L4	Undercut Angle
		kg	m/s	mm		A	kW	r/min	Hz	N·m		mm	mm	mm	mm	mm	°
MONA450	1350-0.5	1350	0.5	450	7×Φ10×15	14	4.5	42	11.2	1030	32	630	144	160	65	/	95
MONA450	1350-0.63	1350	0.63	450	7×Φ10×15	14	5.7	53	14.1	1030	32	630	144	160	65	/	
MONA450	1350-1.0	1350	1.0	450	7×Φ10×15	21	9.2	85	22.7	1030	32	630	144	160	65	/	
MONA450	1350-1.5	1350	1.5	450	7×Φ10×15	34	13.7	127	33.9	1030	32	630	144	160	65	/	
MONA450	1350-1.6	1350	1.6	450	7×Φ10×15	34	14.7	136	36.3	1030	32	630	144	160	65	/	
MONA450	1350-1.75	1350	1.75	450	7×Φ10×15	34	16.1	149	39.7	1030	32	630	144	160	65	/	
MONA450	1350-2.0	1350	2.0	450	7×Φ10×15	40	18.3	170	45.3	1030	32	630	144	160	65	/	
MONA450	1350-2.5	1350	2.5	450	7×Φ10×15	48	22.9	212	56.5	1030	32	630	144	160	65	/	
MONA450	1600-3.0	1350	3.0	450	7×Φ10×15	56	27.5	255	68.0	1030	32	630	144	160	65	/	
MONA450	1600-0.5	1600	0.5	450	7×Φ10×15	17	5.5	42	11.2	1250	32	630	144	160	65	/	
MONA450	1600-0.63	1600	0.63	450	7×Φ10×15	17	6.9	53	14.1	1250	32	630	144	160	65	/	
MONA450	1600-1.0	1600	1.0	450	7×Φ10×15	25	11.1	85	22.7	1250	32	630	144	160	65	/	
MONA450	1600-1.5	1600	1.5	450	8×Φ10×15	41	16.6	127	33.9	1250	32	630	144	160	65	/	
MONA450	1600-1.6	1600	1.6	450	8×Φ10×15	41	17.8	136	36.3	1250	32	630	144	160	65	/	
MONA450	1600-1.75	1600	1.75	450	8×Φ10×15	41	19.5	149	39.7	1250	32	630	144	160	65	/	
MONA450	1600-2.0	1600	2.0	450	8×Φ10×15	48	22.3	170	45.3	1250	32	630	144	160	65	/	
MONA450	1600-2.5	1600	2.5	450	8×Φ10×15	58	27.7	212	56.5	1250	32	630	144	160	65	/	
MONA450	1600-3.0	1600	3.0	450	8×Φ10×15	68	33.4	255	68.0	1250	32	630	144	160	65	/	
MONA450	2000-0.5	2000	0.5	450	8×Φ10×15	21	6.8	42	11.2	1550	32	680	194	160	65	/	
MONA450	2000-0.63	2000	0.63	450	8×Φ10×15	21	8.6	53	14.1	1550	32	680	194	160	65	/	
MONA450	2000-1.0	2000	1.0	450	8×Φ10×15	31	13.8	85	22.7	1550	32	680	194	160	65	/	
MONA450	2000-1.5	2000	1.5	450	9×Φ10×15	49	20.6	127	33.9	1550	32	704	194	172	77	/	
MONA450	2000-1.6	2000	1.6	450	9×Φ10×15	49	22.1	136	36.3	1550	32	704	194	172	77	/	
MONA450	2000-1.75	2000	1.75	450	9×Φ10×15	49	24.2	149	39.7	1550	32	704	194	172	77	/	
MONA450	2000-2.0	2000	2.0	450	9×Φ10×15	56	27.6	170	45.3	1550	32	704	194	172	77	/	
MONA450	2000-2.5	2000	2.5	450	9×Φ10×15	71	34.4	212	56.5	1550	32	704	194	172	77	/	
MONA450	2500-0.5	2500	0.5	480	8×Φ12×17	27	8.4	40	10.7	2000	32	765	254	180	85	127	90
MONA450	2500-0.63	2500	0.63	480	8×Φ12×17	27	10.5	50	13.3	2000	32	765	254	180	85	127	
MONA450	2500-1.0	2500	1.0	480	8×Φ12×17	41	16.8	80	21.3	2000	32	765	254	180	85	127	
MONA450	2500-1.5	2500	1.5	480	8×Φ12×17	68	24.9	119	31.7	2000	32	765	254	180	85	127	
MONA450	2500-1.6	2500	1.6	480	8×Φ12×17	68	26.6	127	33.9	2000	32	765	254	180	85	127	
MONA450	2500-1.75	2500	1.75	480	8×Φ12×17	68	29.1	139	37.1	2000	32	765	254	180	85	127	
MONA450	2500-2.0	2500	2.0	520	7×Φ13×18	69	34.5	147	39.2	2240	32	941	370	188	90	185	
MONA450	2500-2.5	2500	2.5	520	7×Φ13×18	87	43.2	184	49.1	2240	32	941	370	188	90	185	
MONA450	3000-0.5	3000	0.5	520	8×Φ13×18	31	10.1	37	9.9	2600	32	941	370	188	90	185	
MONA450	3000-0.63	3000	0.63	520	8×Φ13×18	31	12.5	46	12.3	2600	32	941	370	188	90	185	
MONA450	3000-1.0	3000	1.0	520	8×Φ13×18	45	19.9	73	19.5	2600	32	941	370	188	90	185	
MONA450	3000-1.5	3000	1.5	520	8×Φ13×18	75	29.9	110	29.3	2600	32	941	370	188	90	185	
MONA450	3000-1.6	3000	1.6	520	8×Φ13×18	75	32.1	118	31.5	2600	32	941	370	188	90	185	
MONA450	3000-1.75	3000	1.75	520	8×Φ13×18	75	35.1	129	34.4	2600	32	941	370	188	90	185	

Remark:

1. This model could be used for either machine room elevator or machine roomless elevator.
2. The above value of undercut angle is recommended based on regular standard. It's optional according to practical condition.